

Toy Organizer

Item #12200
Assembly Instructions

Please call us if you need assistance with this toy.
Have item number available when you call.

1-800-521-7080
M-F 7:30 - 4:30 EST

Help is also available at:
www.americanplastictoys.com

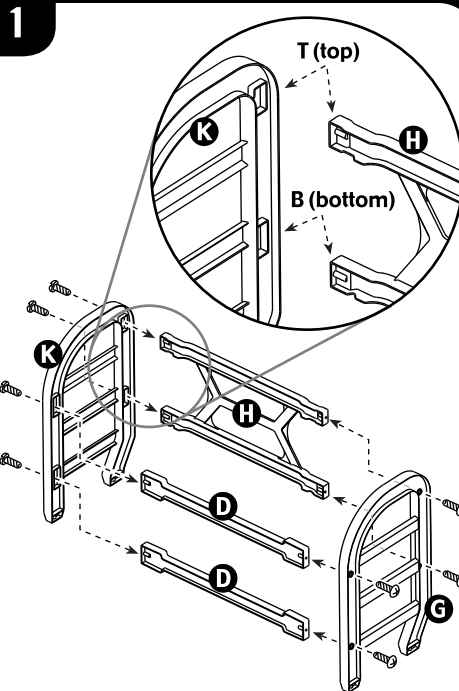
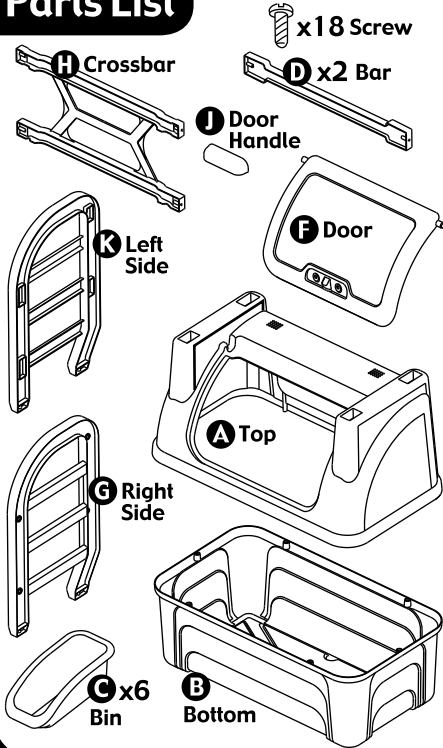
CAUTION
Keep small parts, hardware, and plastic bags out of children's reach.
Care should be taken in the unpacking and assembly of the toy.

Adult Assembly Required
Screwdriver Needed

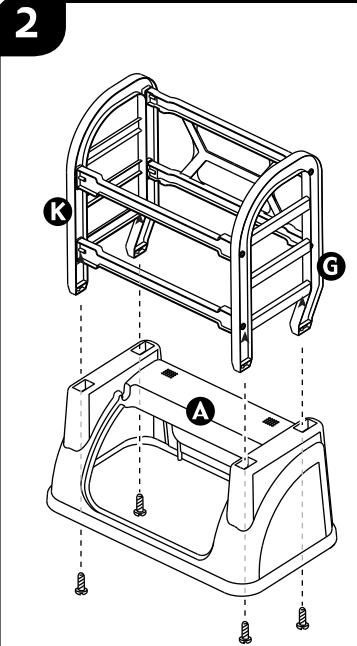



799 Ladd Rd.
Walled Lake, MI
48390-0100 USA

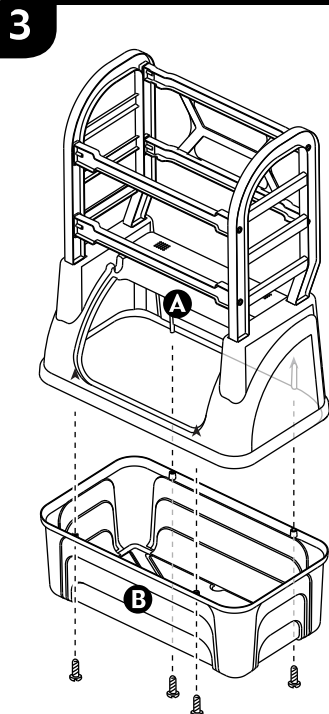
Parts List



Secure Sides **K** and **G** to both Bars **D** and Crossbar **H** as shown.



Secure Top **A** to Sides **K** and **G** as shown.



Secure Bottom **B** to Top **A** as shown.

4

Secure Door Handle **I** to Door **F** as shown. Place the posts of the Door **F** into the notches on Top **A**.

Place all six Bins **C** into the shelves.

